

2512.0075

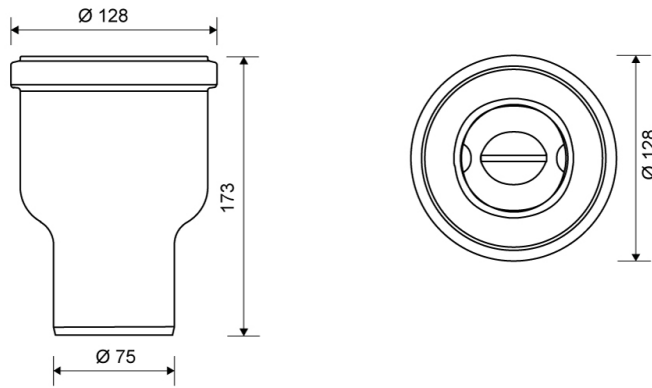
MatLine 2512.0075

Vertical drain Ø 75 mm



Specifications

ITEM NUMBER 2512.0075	GTIN NUMBER 5707692009490	MATERIAL Plastic (PP)
USAGE MatLine	BARRIER without	GASKET EPDM
FITS MatLine 6001.0800	CAPACITY 1.0 l/s	SIDE INLET without
CONSTRUCTION HEIGHT (CORNER) 173	FITS DRAIN UNIT MatLine 6001.0800	



2512.0075

Products